

**SERVICE INFORMATION**

**Number:** 108-1691

**Year:** 1996

**Month:** AUGUSTI

**Market:** ALL

**Expander rivet extraction tool**

**Cars concerned**

All Saab 900 and Saab 9000 models.

**Background**

A new tool has been developed to facilitate the removal of expander rivets. It can also be used to remove other types of plastic clip having a large head. There is no definite place on the toolboard for this tool but it can be kept to advantage in the mechanic's tool cabinet.

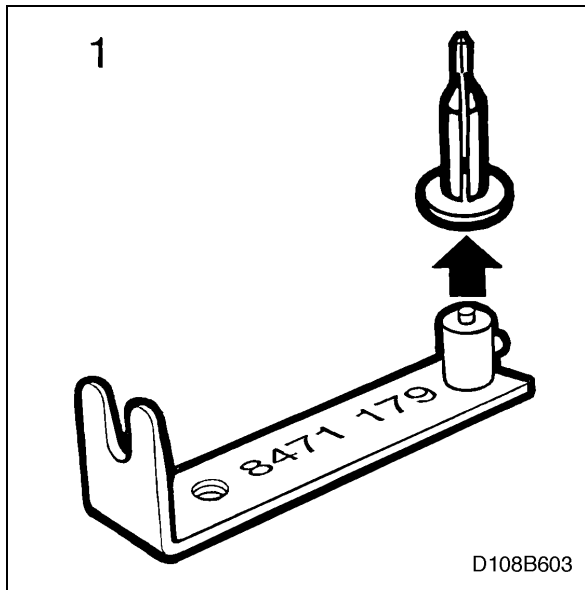
**Materials**

84 71 179 Expander rivet extraction tool.

**Procedure**

Use the tool as follows:

- 1 Press in the expander rivet's stud by means of a suitable pin on the tool, depending on the location of the rivet.



- 2 Insert the forked part of the tool under the head of the expander rivet and withdraw same.



