

**SERVICE INFORMATION**

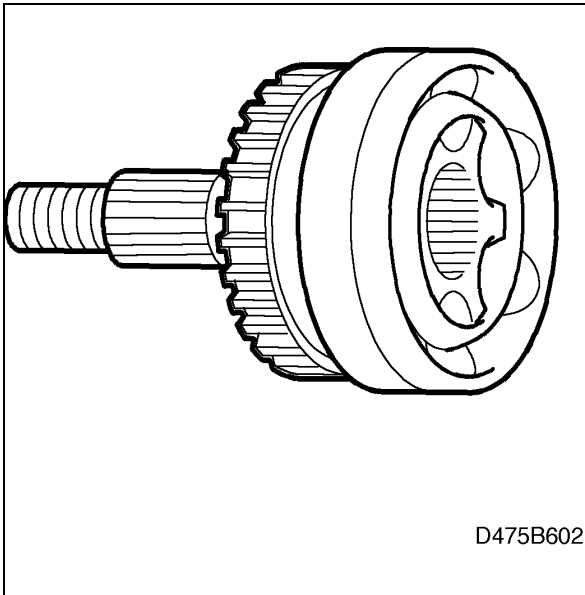
**Number:** 475-1883

**Year:** 1998

**Month:** FEBRUARY

**Market:** ALL

**Noise from outboard drive shaft CV joint**



**Cars affected**

All Saab 900 models.

**Background**

Noise may be heard from the outboard drive shaft CV joints on new cars under certain driving conditions, with the steering wheel at full lock while accelerating at the same time.

This is because the grease in the joints has not had time to be properly distributed.

**Procedure**

Inform the customer of the above in the event of a complaint and that the noise will disappear after about 100-150 km (65-100 miles) under normal driving conditions.