

SERVICE INFORMATION

Number: 644-1658

Year: 1996

Month: MARS

Market: ALL

Addition to Service Manual 6 "Front assembly and steering"

Cars concerned

Saab 900 M1994-

Background

Certain additions have been introduced since the Service Manual was first printed.

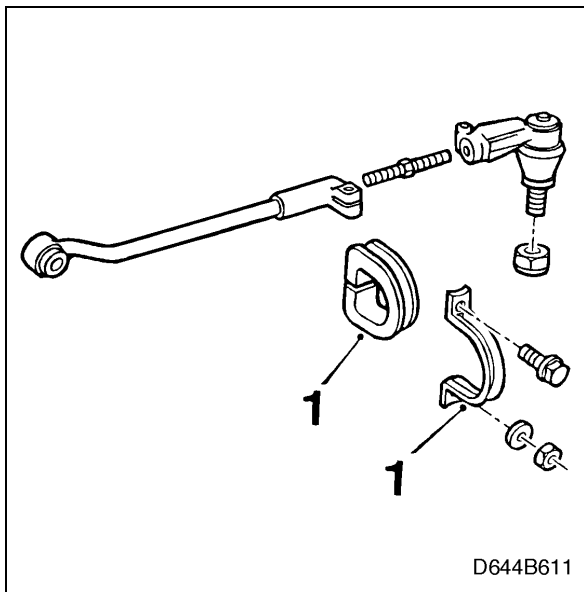
Procedure

The additions in this SI can to advantage be written in Service Manual 6 "Front assembly and steering" or referred to in it.

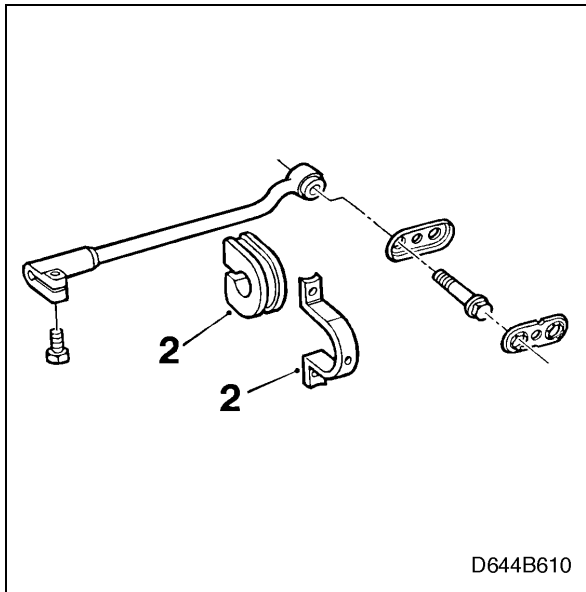
Page 644-3

Replace point 6 with the following text:

Mount the fixing clamp on the pinion side first (1), making sure that the flat surface of the steering gear abuts against the bulkhead partition.
Tighten the retaining bolts.



Then mount the other fixing clamp (2) and tighten it. It is extremely important to mount the steering gear fixing clamps in this order to avoid the steering gear being tightened in such a position that it is at an oblique angle to the steering column mounting.



Page 644-3

Add the following text to point 7:

A new locking plate (3) should be fitted each time the steering gear is removed from the car. The part number of the locking plate is 42 42 723.

