

SERVICE INFORMATION

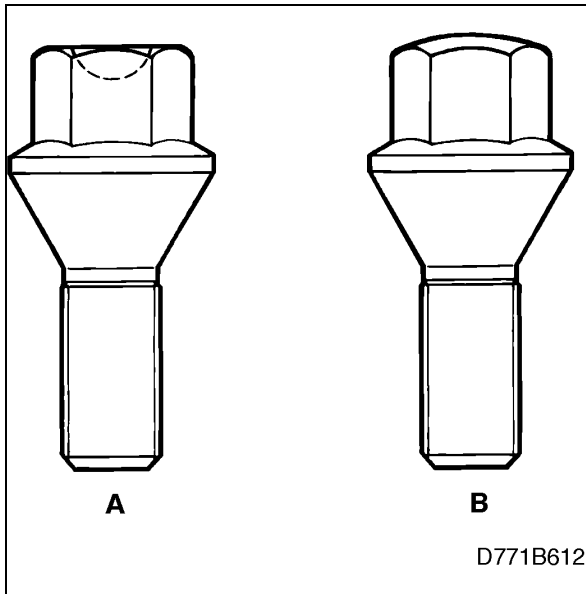
Number: 771-1885

Year: 1998

Month: MARCH

Market: ALL

New wheel bolts



Cars affected

All Saab 900 from M94.

Background

New wheel bolts (**B**) with another surface treatment have been introduced in production. The new bolt has a higher friction than those used previously (**A**), which ensures a more stable tightening torque.

Tightening torque for the new bolt (**B**) is the same for both steel wheels and aluminium wheels.

Tightening torque 120 Nm (88.8 lbf ft).

IMPORTANT

The new wheel bolts cannot be used on cars older than M94.

Wheel bolt (**A**), part no. 43 98 277, must be used on Saab 900 up to and including M93.

Parts required

49 08 067 New wheel bolt (CA: 30570431)

(Saab STD 2883-81, Dacromet without Teflon or Gleitmo 602 wax)