

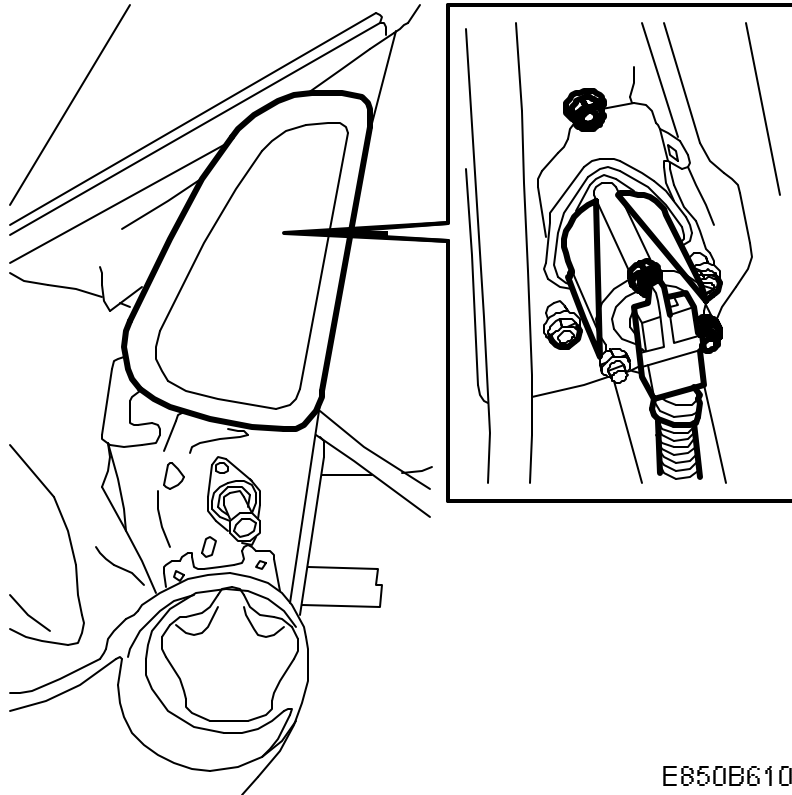
SERVICE INFORMATION

Bulletin Nbr: 850-2108

Date:.....March 1999

Market: all

Spurious DTCs from side airbag



E850B610

Cars concerned

Saab 9-5 M98 from VIN W3089124
and X3006695 US.

Background

On occasions, the AIRBAG lamp may go on without there being any permanent faults in the airbag system. Investigations have shown that this is often caused by poorly crimped cable lugs on the wiring harness. In these cases, DTC B2863 or B2868 will be generated.

In the event of customer complaint, carry out the following procedure on the driver and passenger seats.

Note

Provided the VIN is relevant, carry out the procedure described in SI 850-2077 "Spurious DTCs in airbag system (SRS)" as well.

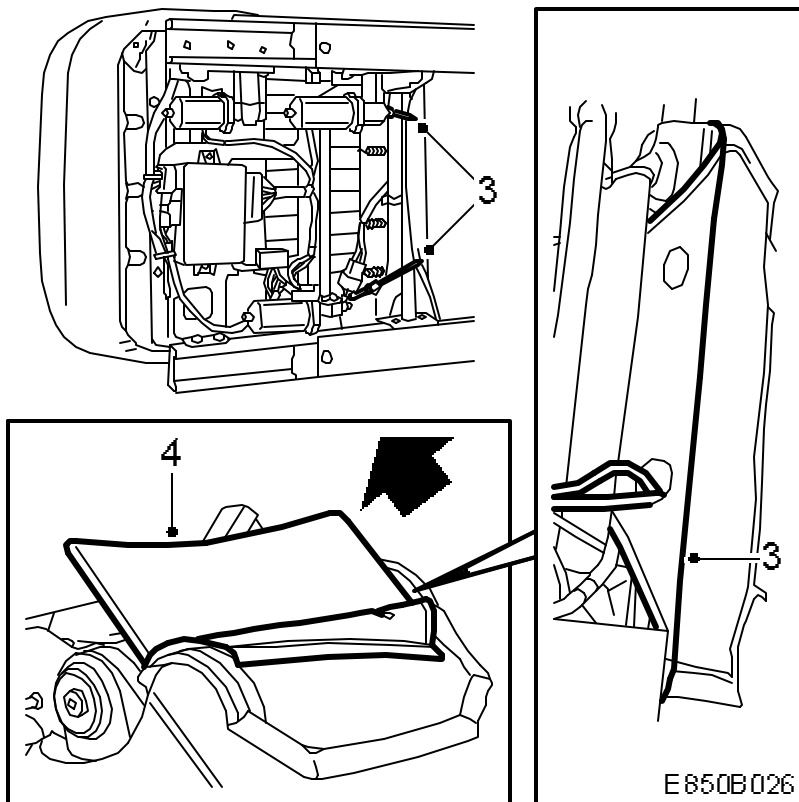
Parts required

51 38 789 Wiring harness

79 71 880 Cable tie

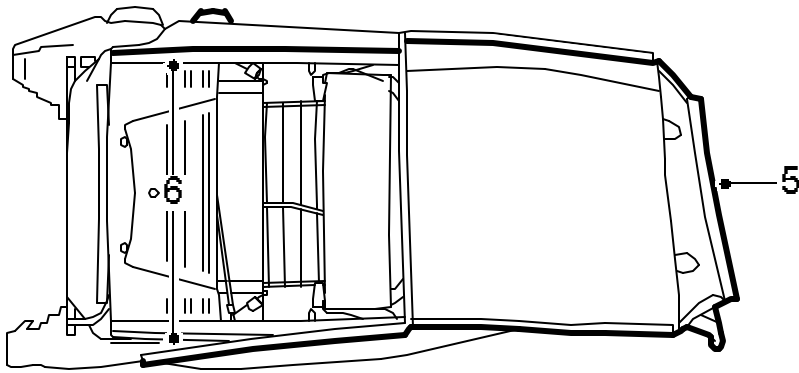
Procedure

1. The ignition key must be in OFF position.
2. Remove the driver's seat as described in WIS. See Body; Seats; Front seat.
3. Undo the straps holding the backrest upholstery at the bottom.



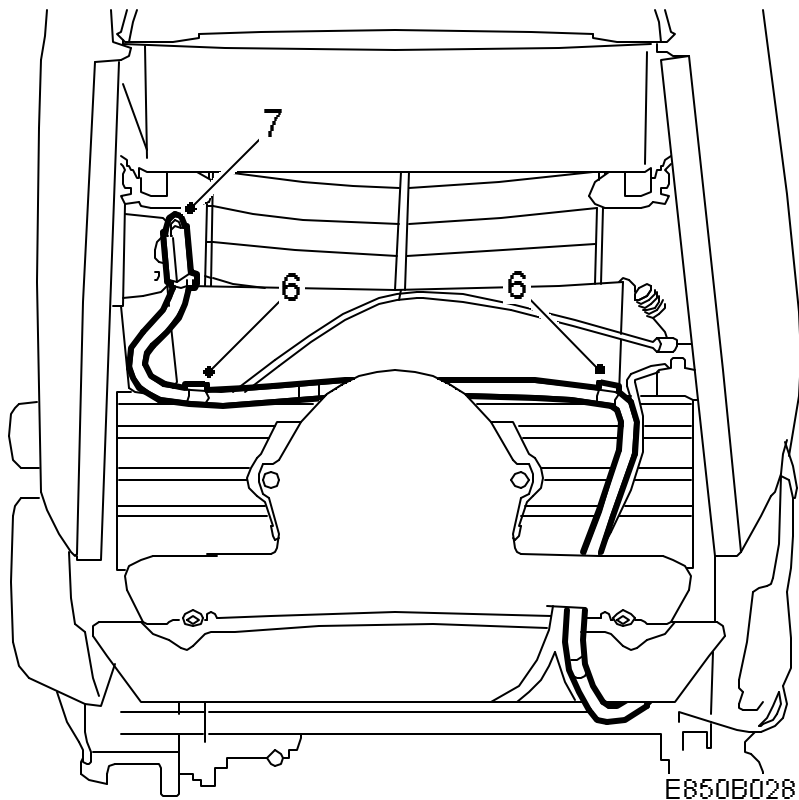
Release the upholstery strips on the underside.

4. Extract the cable through the hole. Pull out the board in the backrest upholstery.
5. Undo the rear of the backrest upholstery by releasing the upholstery strips along the sides and folding back.



E850B027

6. Release the upholstery strips along the back edge of the backrest frame.
7. Unplug the connector from the side airbag.

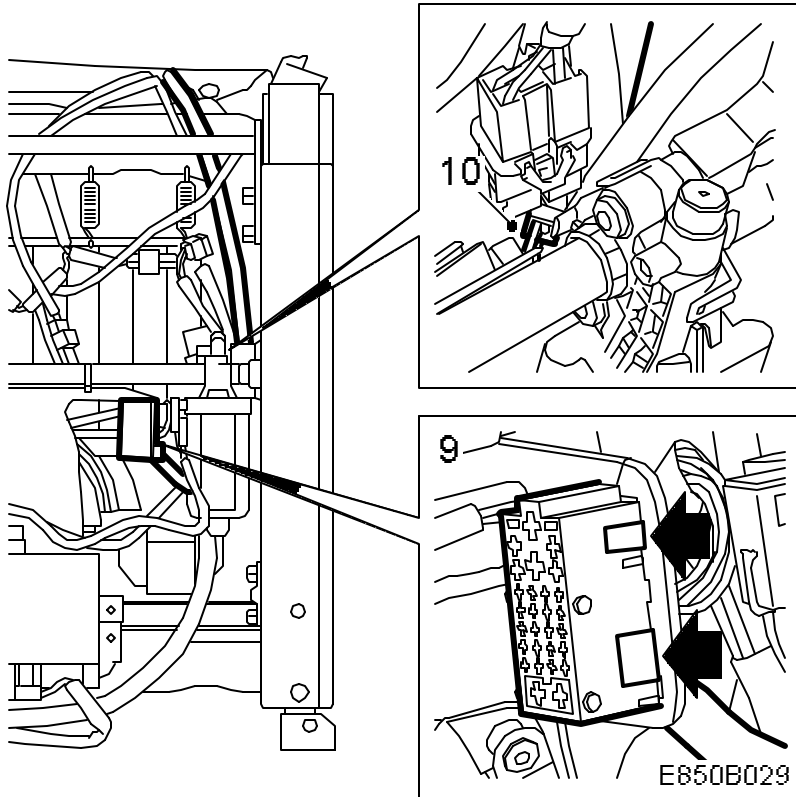


E850B028

8. Remove the wiring harness and protective sleeve from the clips.

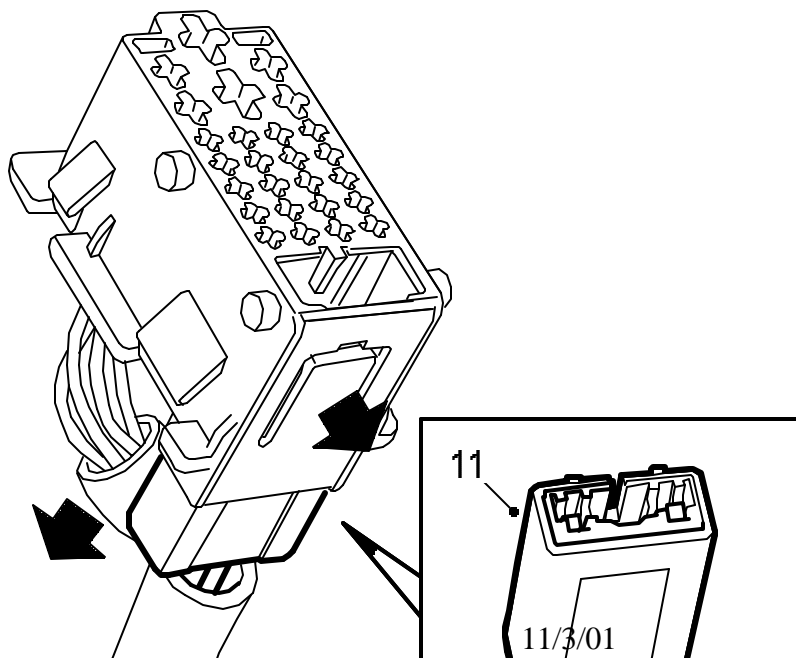
Vent-seat: Unscrew the fan cowling so that the wiring harness can be removed.

9. Remove the 29-pin connector from the holder under the seat.



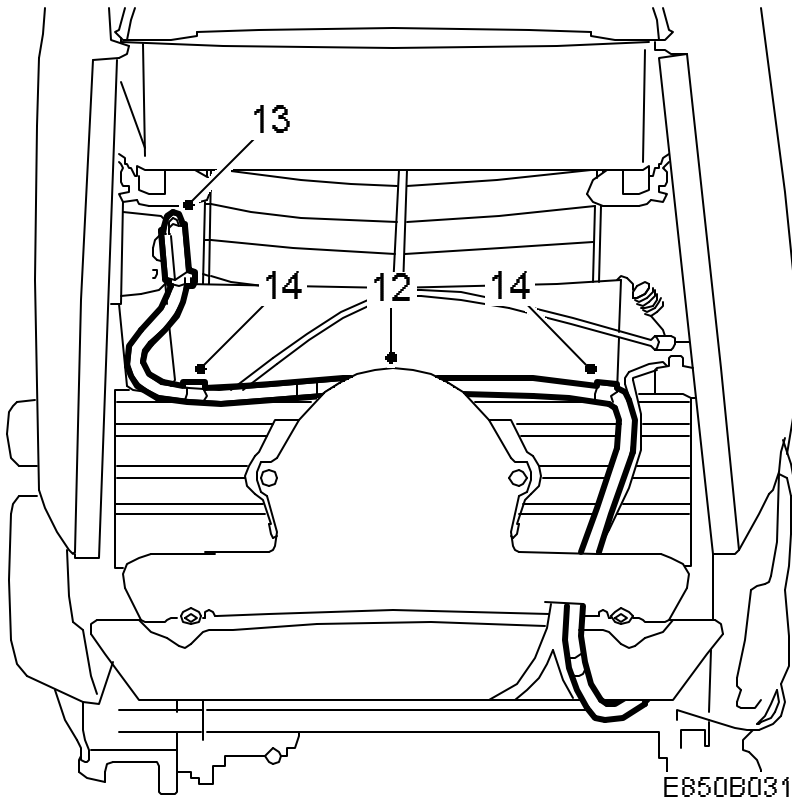
10. Cut loose the cable tie securing the wiring harness.

11. Remove the yellow connector pins from the 29-pin connector.



E850B030

12. Lay the new wiring harness in place.

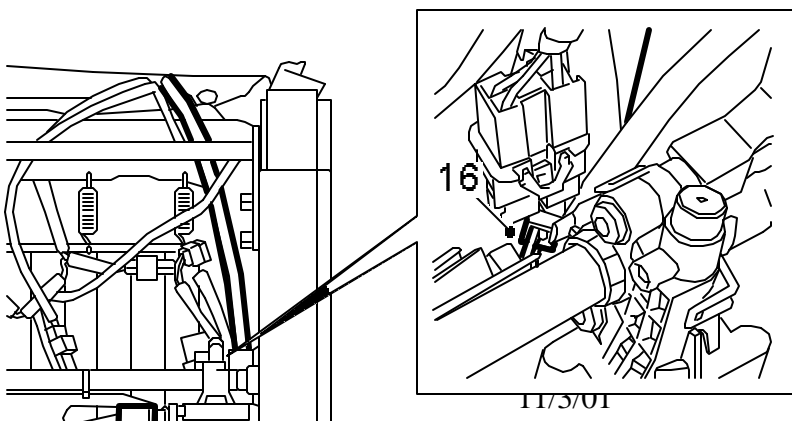


13. Plug the connector to the side airbag.

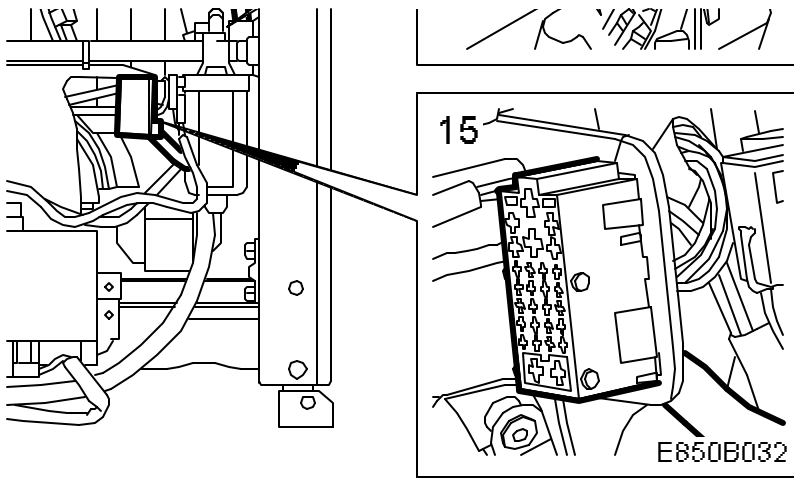
14. Fasten the new wiring harness in the clips.

Vent-seat Screw on the fan cowl.

15. Insert the yellow connector into the 29-pin connector.



?U<H

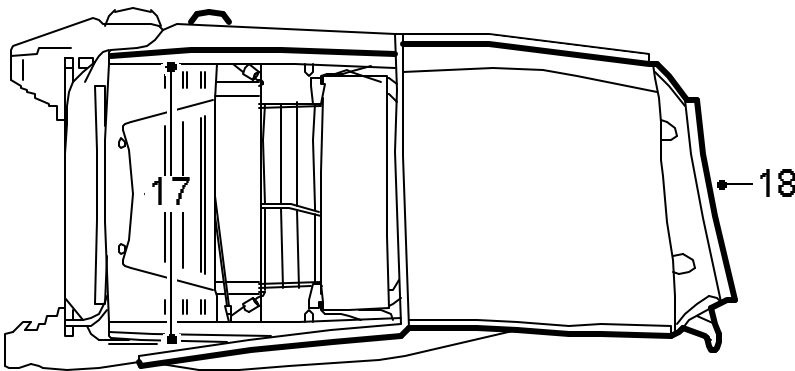


08) Spurious DTCs from side airbag

Fasten the 29-pin connector into the holder.

16. Fit the cable tie.

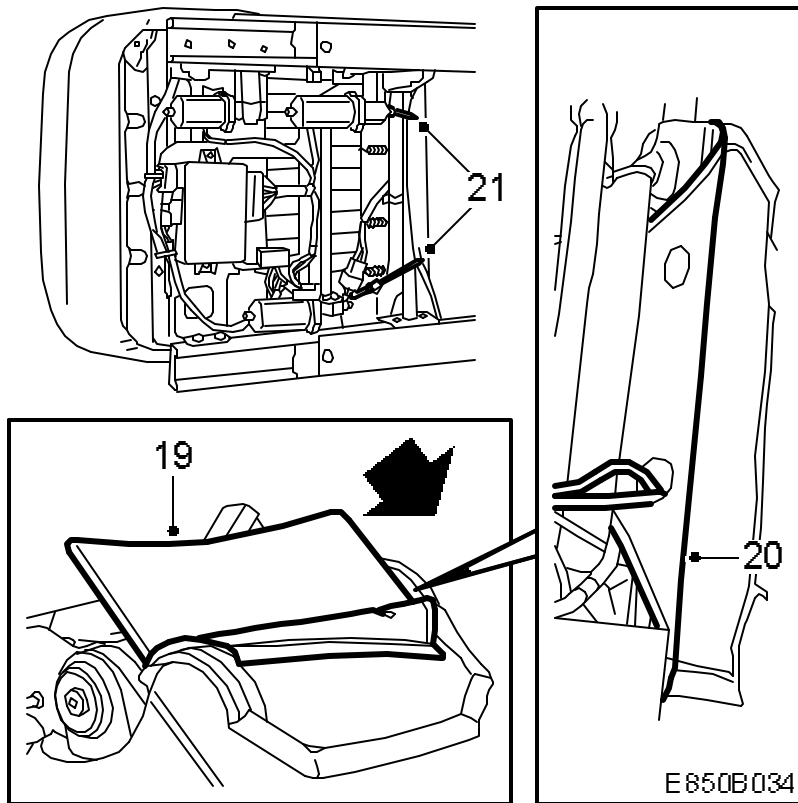
17. Replace the upholstery strips along the back edge of the backrest frame.



E850B033

18. Fit the back of the backrest upholstery by fastening the upholstery strip along the sides.

19. Insert the board into the backrest upholstery.



20. Run the cables through the hole in the backrest upholstery and fasten the bottom of the upholstery strip.

21. Fasten the straps on the bottom of the backrest upholstery under the seat cushion.

22. Fit the driver's seat as described in WIS. See Body; Seats; Front seat.

23. Repeat steps 2-22 for the passenger seat.

24. Connect the diagnostic tool.

25. Turn the ignition switch to the ON position.

26. Clear DTCs and check with the diagnostic tool that the resistance in the SRS circuit is 2.5 0.3 ohms in each seat.

Disconnect the diagnostic tool.

27. Start the car and check that the AIRBAG lamp does not indicate a fault.

Warranty/Time information

Failed Object: 37137 (change part) and 12807 (associated labour)

Fault/Reason code: 67

Location code: 09

Repair/Action code: 01

Time: 0.4 hrs + 0.3 hrs