

**SERVICE INFORMATION**

Bulletin Nbr: 852-1573  
Date:.....MARS 1995  
Market: ALL

**Replacement of upholstery on backrest with integrated child safety seat**

**Cars concerned**

Saab 900 M1994- with integrated child safety seat

**Background**

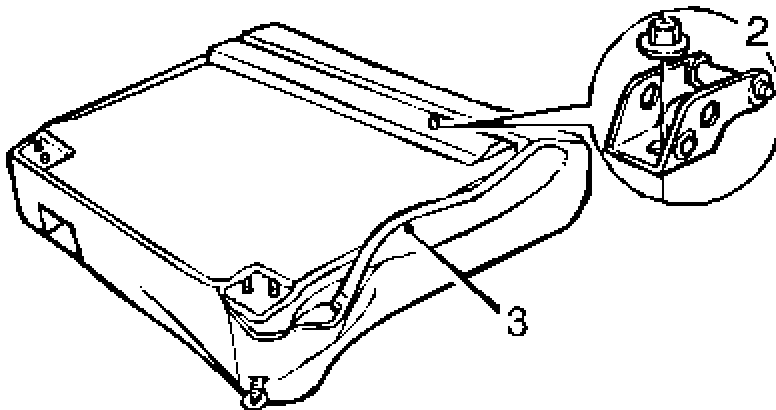
A new method has been developed for changing the upholstery on backrests with an integrated child safety seat.

**Parts required**

84 71 062 Fitting kit, seat upholstery staples

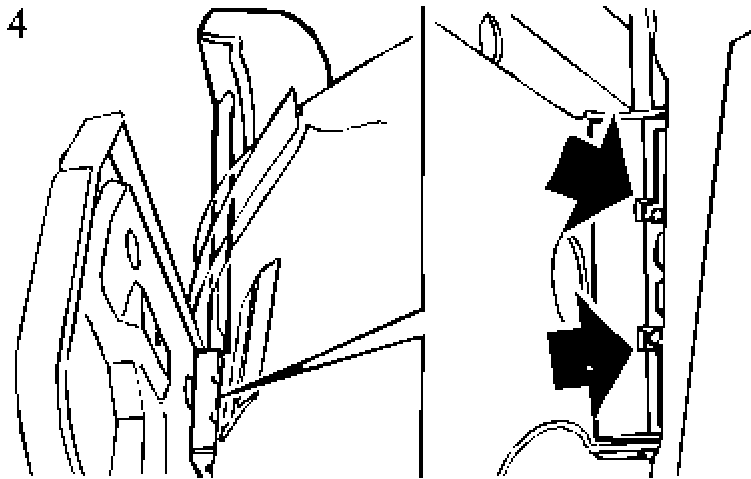
**To remove**

1. Remove the backrest. Note that the brackets adjacent to the wheel housings are to be unscrewed from the backrest when it is removed from the car.

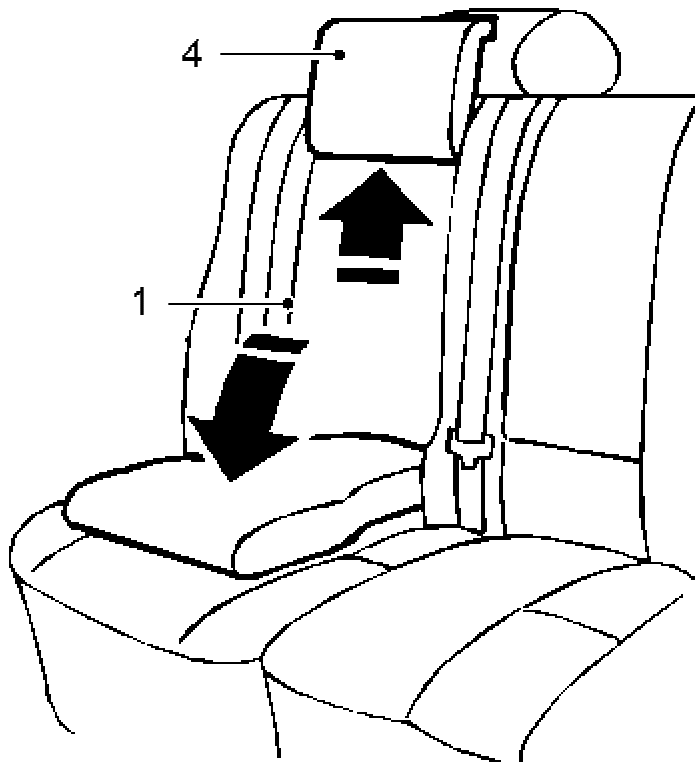


D852-B623

2. Place the backrest on a workbench with a protective covering. Remove the locking pin (only 40% backrest).
3. Remove the upholstery strips.

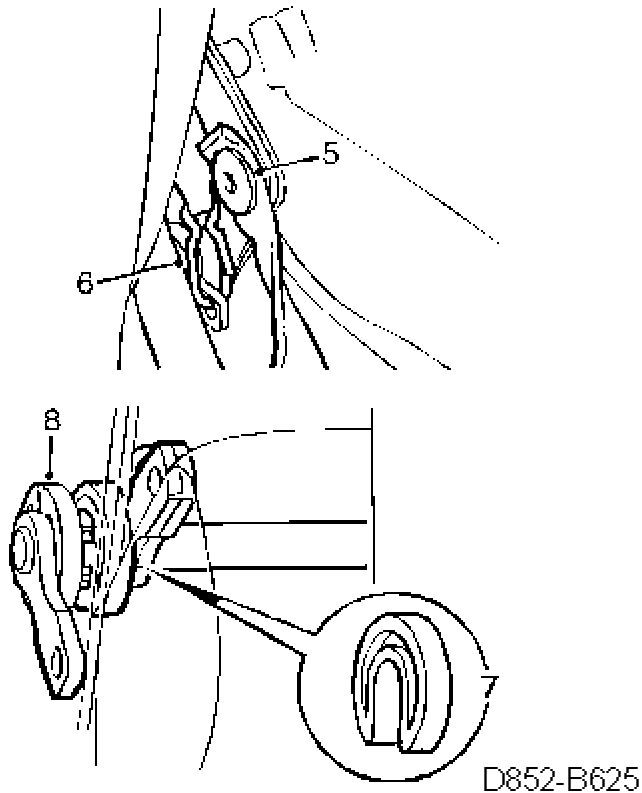


D852-B622

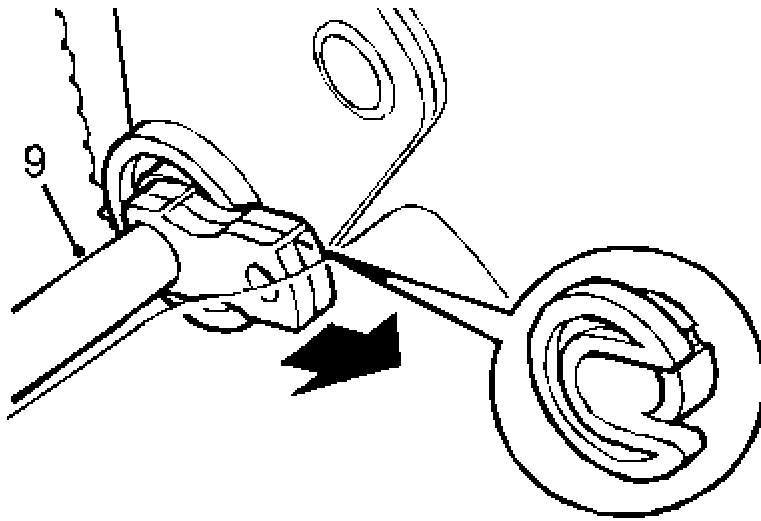


D852-B624

4. Lift the foam cushion away from the backing so that the head restraint guide becomes accessible. Lift up the lower securing wire on one side and push up the head restraint slightly. Repeat on the other side. Do the same with the upper securing wire and lift off the head restraint.
5. Remove the screws securing the seat cushion on the child safety seat and press it out of the brackets.

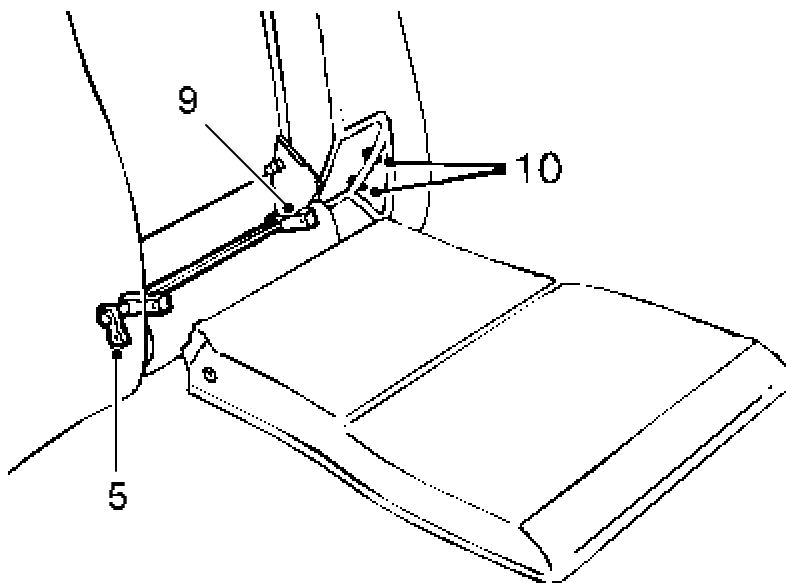


6. Detach the opening strap from the lever.
7. Remove the horseshoe-shaped plastic spacer on the opening side.
8. Remove the divided plastic spacer on the same side.
9. Press out the lever through the groove in the bush on the opposite side and then angle the lever out of the bracket on the opening side.



D852-B626

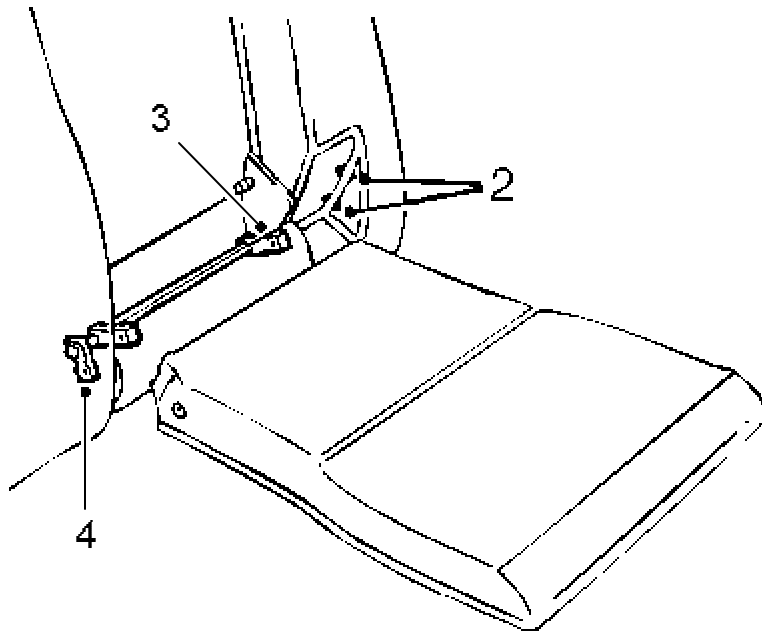
10. Cut through the staples adjacent to the belt buckle pocket and remove the T-strips from the foam cushion.



D852-B627

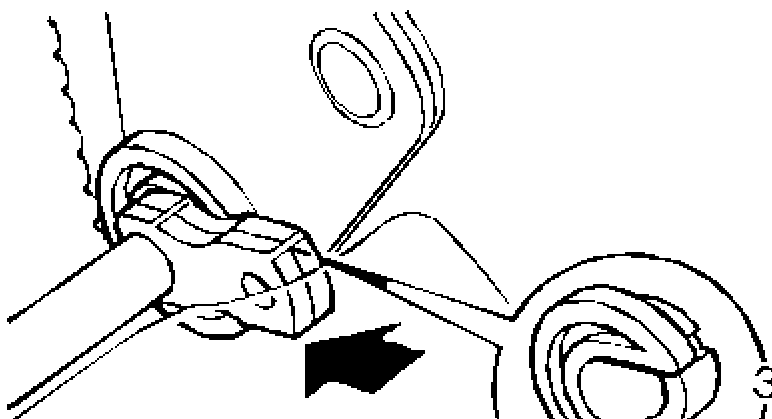
To fit

1. Fit the T-strips to the foam cushion.
2. Attach the upholstery staples (84 71 062) to the belt buckle pocket and fit the foam cushion in place.



D852-B630

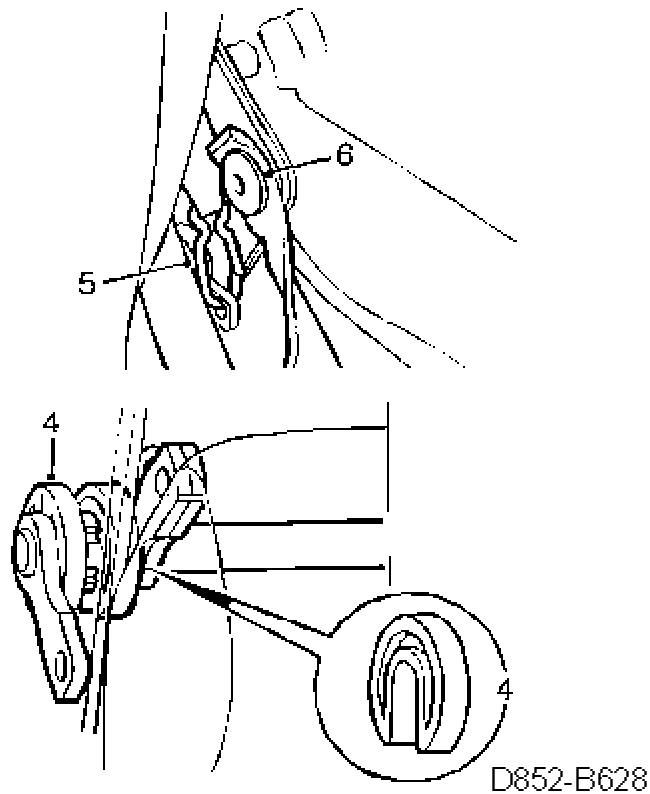
3. Angle the lever in place through the bracket on the opening side and fit the grooved plastic bush in the bracket on the other side. Press the lever down into the plastic bush.





D852-B629

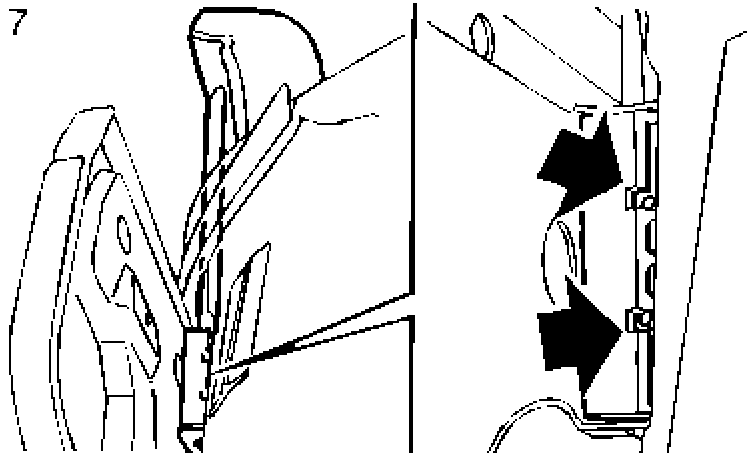
- 4. First fit the divided plastic spacer and then the horseshoe-shaped plastic spacer.



- 5. Attach the opening strap to the lever.
- 6. Fit the seat cushion to the child safety seat by guiding it back into its bushes while at the same time releasing the catches. Fit the screws securing the seat cushion. Make sure that the screw on the opening side passes through the opening strap.

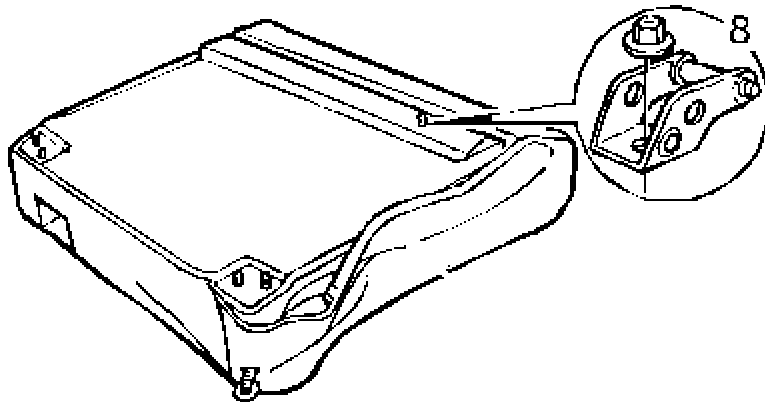
**Tightening torque: 10 Nm (7.4 lbf ft)**

7. Press the child safety seat's head restraint back into place and fit the upholstery strips.

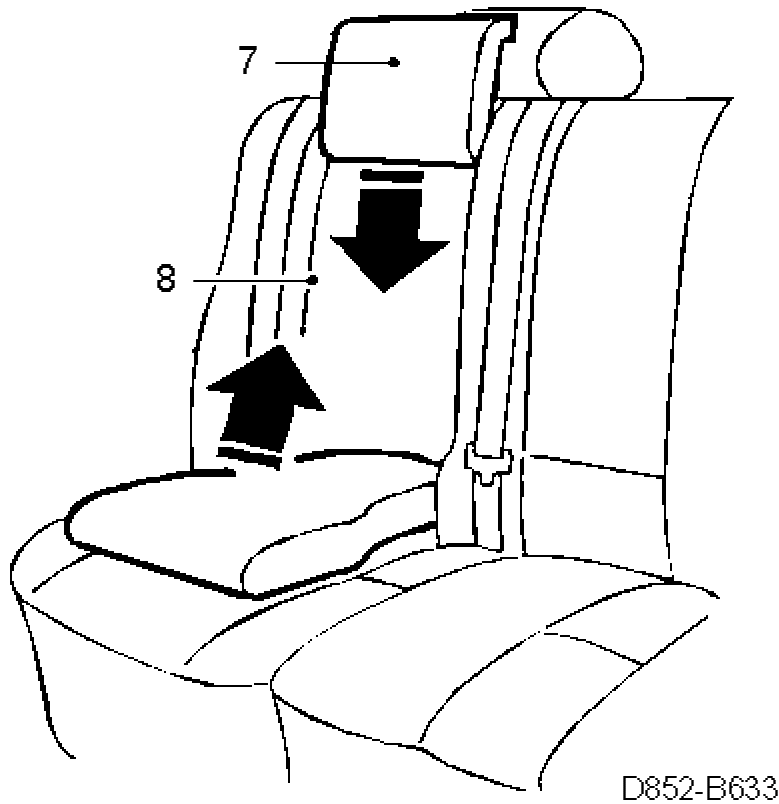


D852-B631

8. Fit the locking pin but do not tighten it.



D852-B632



9. Fit the backrest in place.
10. Raise the backrest and tighten the locking pin.

---

**Important**

Check that the 40% backrest locks properly in place against the cross-member.

---

11. Check the operation of the child safety seat.

**Warranty/Time information**

Failed Object: 85859

Fault/Reason code:

Location code: 03/04

Repair/Action code: 01 Time: 0.5

**Warranty information**



?I<H?.. Bulletins - SI/MI - (852-1573) Replacement of upholstery on backrest with integrated child safety seat

Normal warranty regulations apply.