

SERVICE INFORMATION

Bulletin Nbr: 852-1573 UTG. 2

Date:.....NOVEMBER 1998

Market: ALL

Change of upholstery of backrest with integrated child seat

Cars concerned

All cars with integrated child seat.

Background

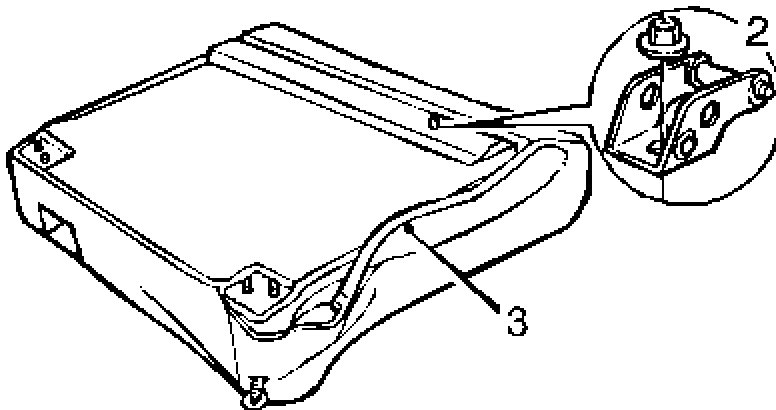
A new method has been established for changing the upholstery on backrests with an integrated child seat.

Materials

84 71 062 Fitting kit, seat upholstery staples

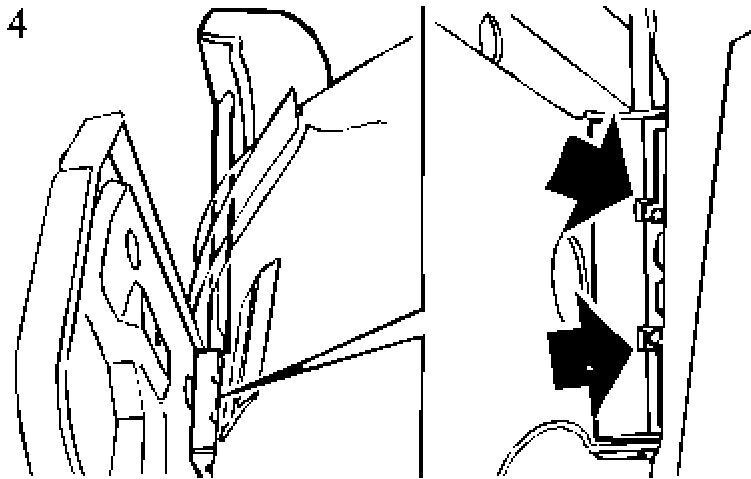
To remove

1. Remove the backrest. Make sure that the mountings by the wheel housings are unscrewed from the backrest when removing it from the car.



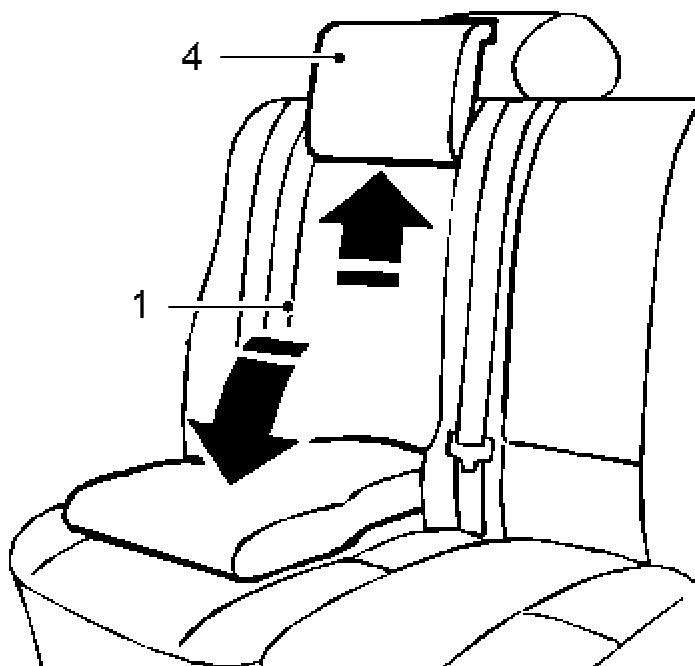
D852-B623

2. Lie the backrest on a covered workbench. Remove the locking pin (applies only to 40% backrest).
3. Remove the upholstery strips.

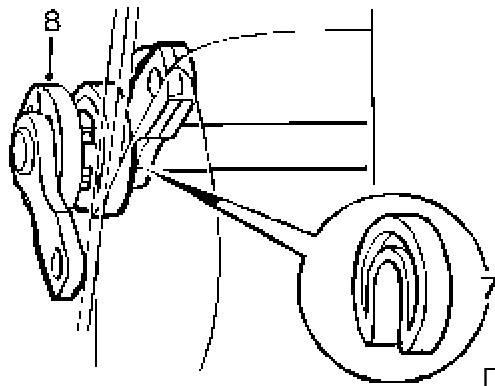
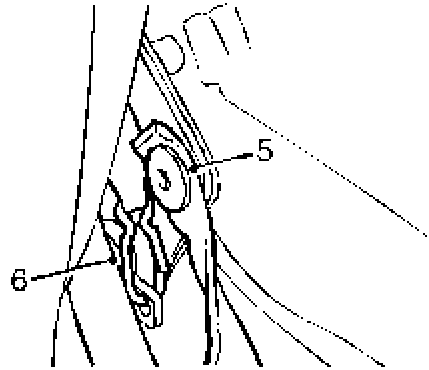


D852-B622

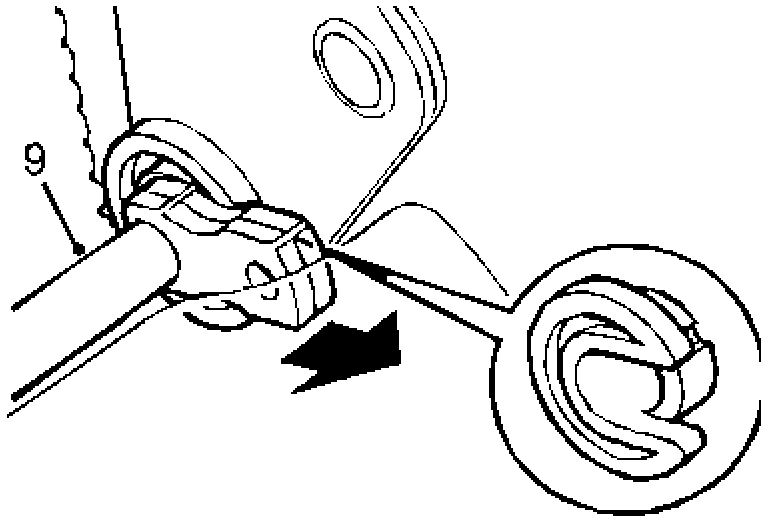
4. Lift up the foam cushion from the back piece so that the head restraint cushion becomes accessible. Lift up the lower locking wire on one side and press the head restraint cushion up slightly, then repeat for the other side. Repeat the procedure for the upper locking wires and remove the head restraint cushion.



5. Remove the screws holding the child seat seat cushion and press the seat out of the brackets.

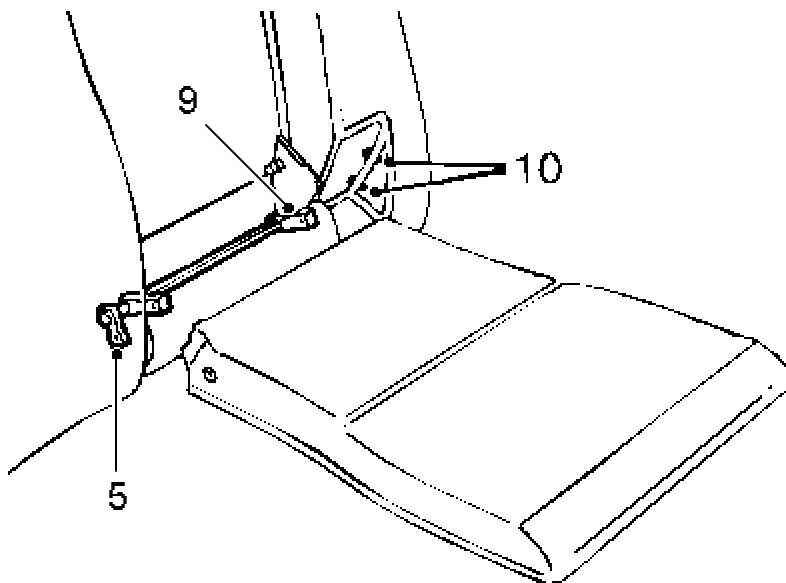


6. Detach the opening strap from the lever.
7. Remove the horseshoe-shaped plastic spacer on the opening side.
8. Remove the split plastic spacer on the same side.
9. Press the lever out through the groove in the bush on the opposite side and then angle the lever out of the opening side bracket.



D852-B626

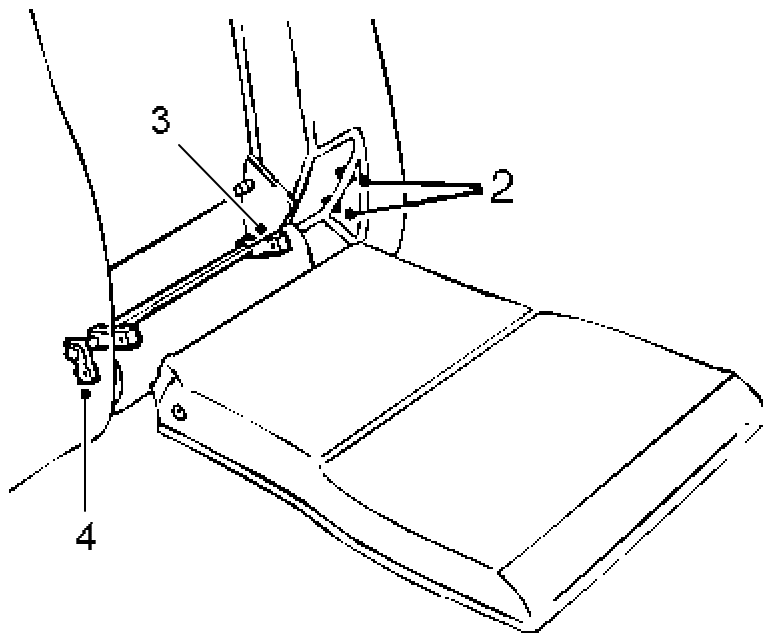
10. Cut the staples by the belt buckle pocket and remove the T strips from the foam cushion.



D852-B627

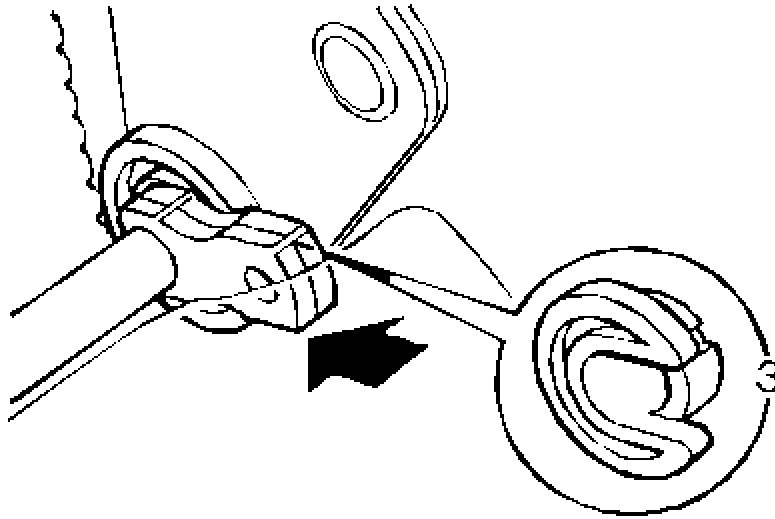
To fit

1. Fit the T strips to the foam cushion
2. Fit the staples (84 71 062) to the seat belt buckle pocket and fit the foam cushion in place.



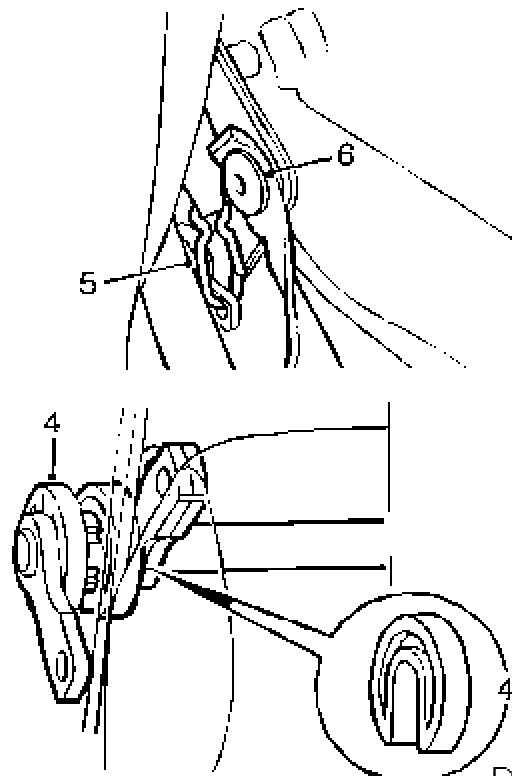
D852-B630

3. Angle the lever into the opening side bracket and fit the plastic bush with the groove in the bracket on the other side. Press the lever into the plastic bush.



D852-B629

4. First, fit the split plastic spacer and then the horseshoe plastic spacer.

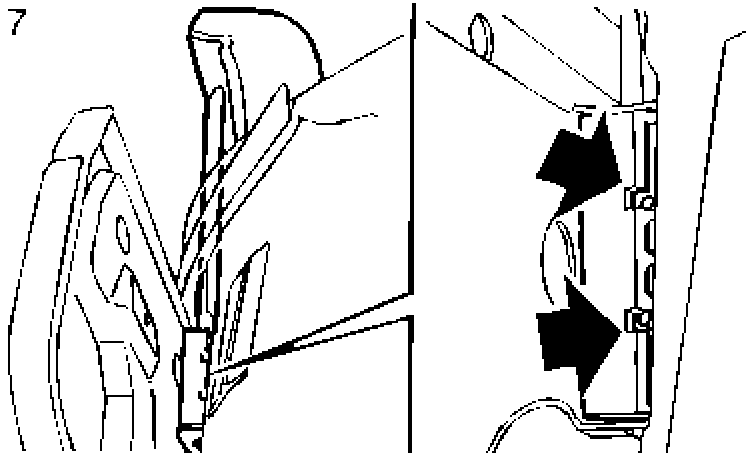


D852-B628

5. Fit the opening strap to the lever.
6. Fit the child seat bottom by guiding the seat into the bushes at the same time as the latch is released. Fit the screws securing the seat. Make sure that the screws on the opening side go through the opening strap.

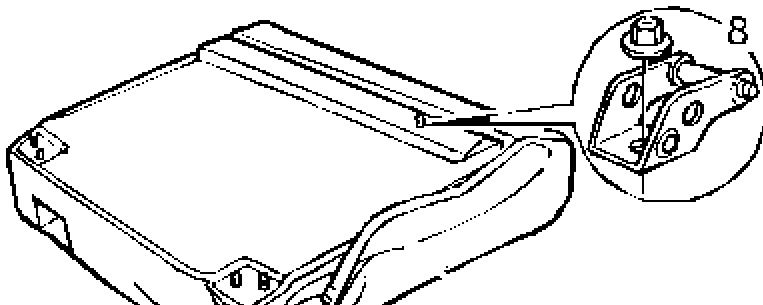
Tightening torque: 10 Nm (7.4 lbf ft)

7. Press back the child seat head restraint and fit the upholstery strips.



D852-B631

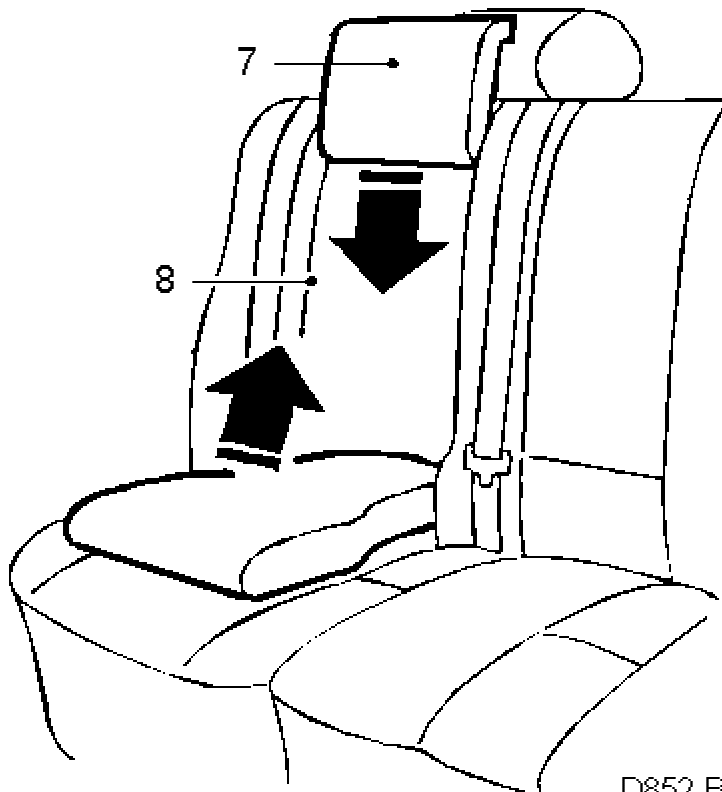
8. Loosely fit the locking pin.





D852-B632

9. Fit the backrest.



D852-B633

10. Raise the backrest and tighten the locking pin.

Important

Check that the 40% backrest locks properly to the member.

11. Check that the child seat works properly.

Warranty/Time information

Failed Object: 85859

Fault code:

Location code: 03/04

Repair/Action code: 01 Time: 0.5

Warranty information

Normal warranty regulations apply.