

**TECHNICAL NEWS**

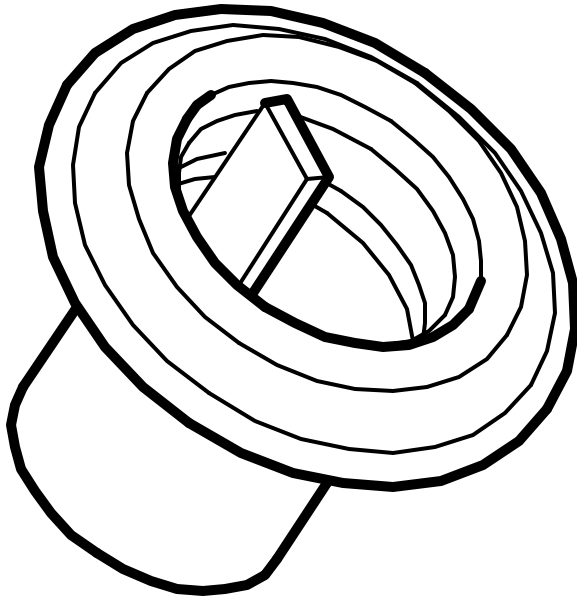
Bulletin Nbr: 99-09-102

Date:.....September 1999

Market: all

**Additional special tools**

**Plugs for drive shaft holes**



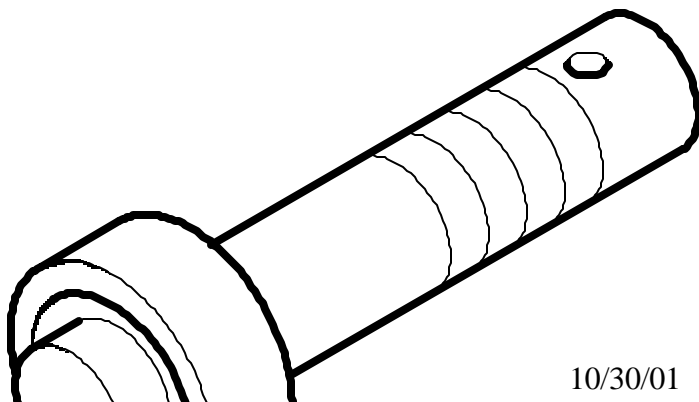
8792665

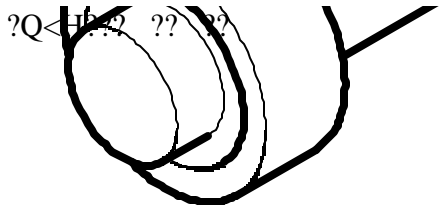
*87 92 665 Plug*

Plugs for drive shaft holes when drive shafts dismantled. Intended for Vigen.

Supplied according to subscription A1.

**Fitting drift for drive shaft seals**



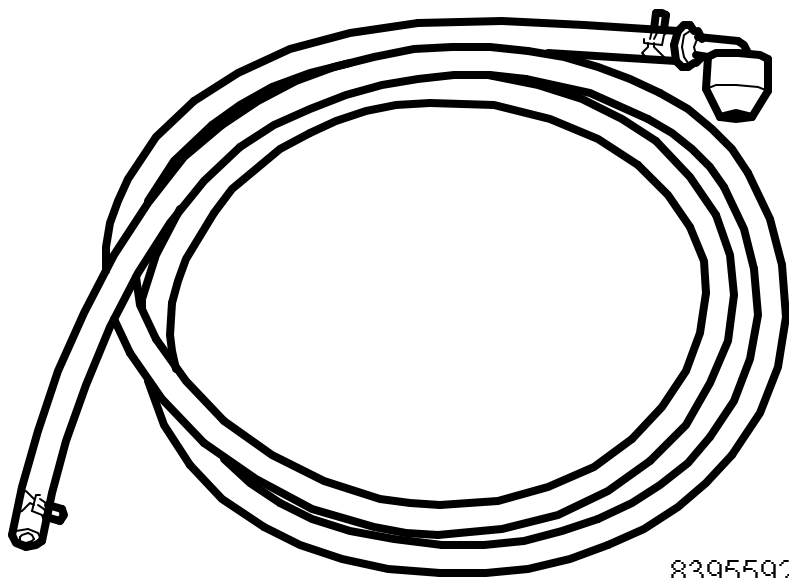


8792657

*87 92 657 Fitting drift*

Fitting drift for drive shaft seals is supplied according to subscription A1.

**Adapter set for leak tracing, diesel fuel lines, part no. 83 95 584**

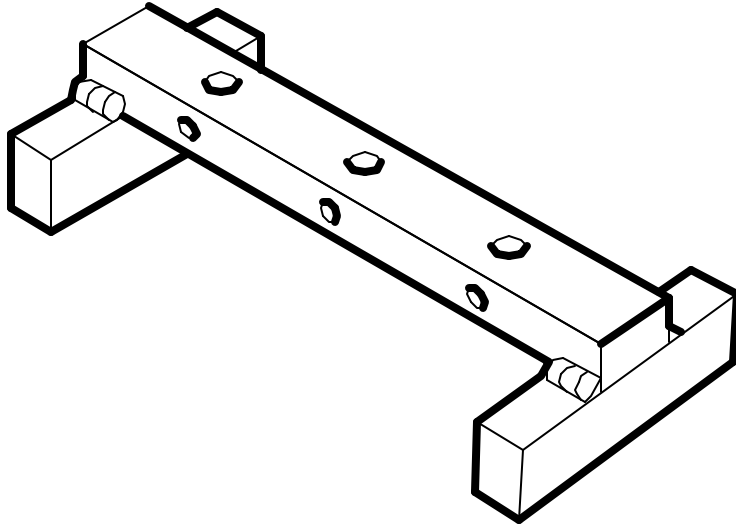


*83 95 592 for delivery side 83 95 600 for return side*

Component parts can also be ordered separately.

This part is not delivered on subscription but must be ordered separately.

Measuring jig



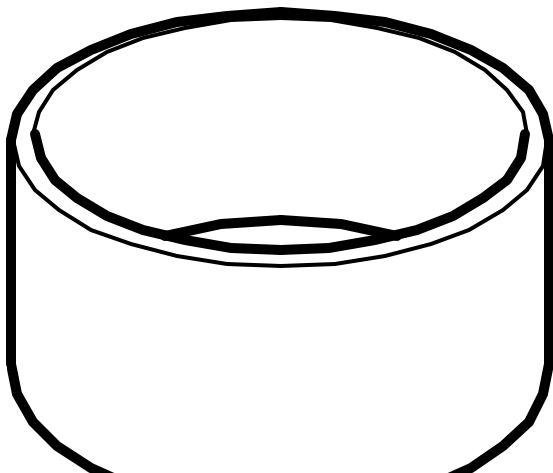
8395550

83 95 550 Measuring jig

Measuring jig for checking piston height when changing cylinder head gasket, **diesel**.

This part is not delivered on subscription but must be ordered separately.

Piston fitting tool



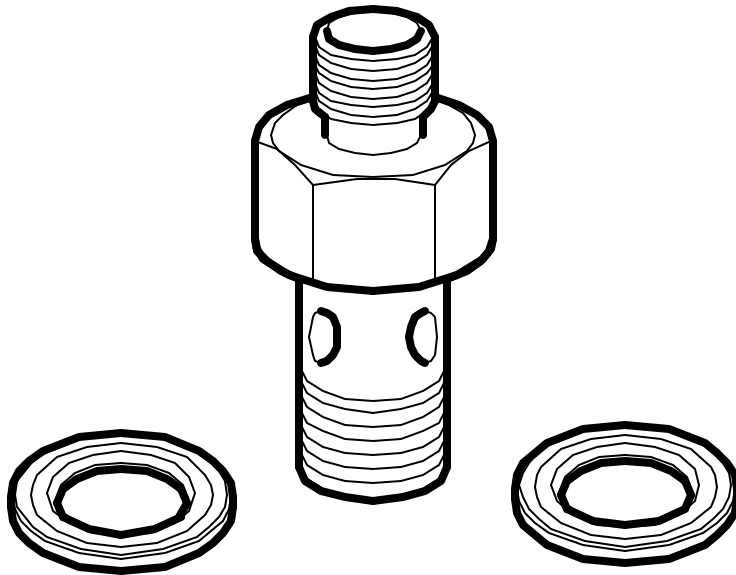
8395568

*83 95 568 Piston fitting tool*

Piston fitting tool for fitting pistons, **diesel**.

This part is not delivered on subscription but must be ordered separately.

**Adapter for oil pressure measurement**



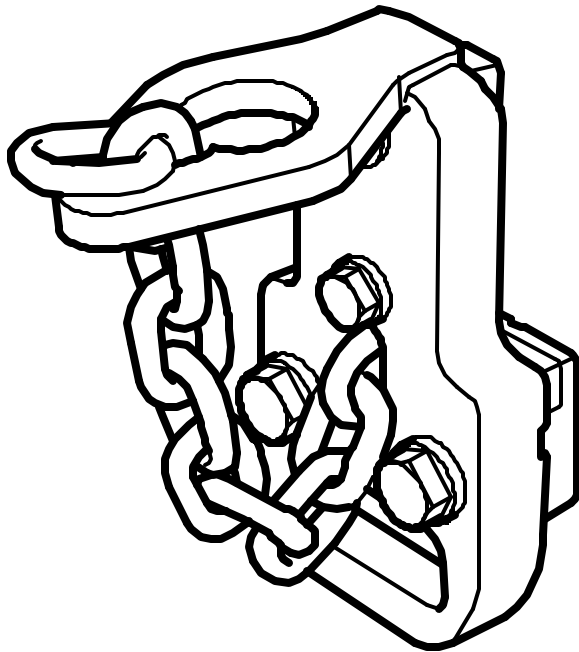
8395576

*83 95 576 Adapter*

Adapter for oil pressure measurement, Viggen.

This part is supplied according to subscription A2.

Drawing tool for aligning rear end impact

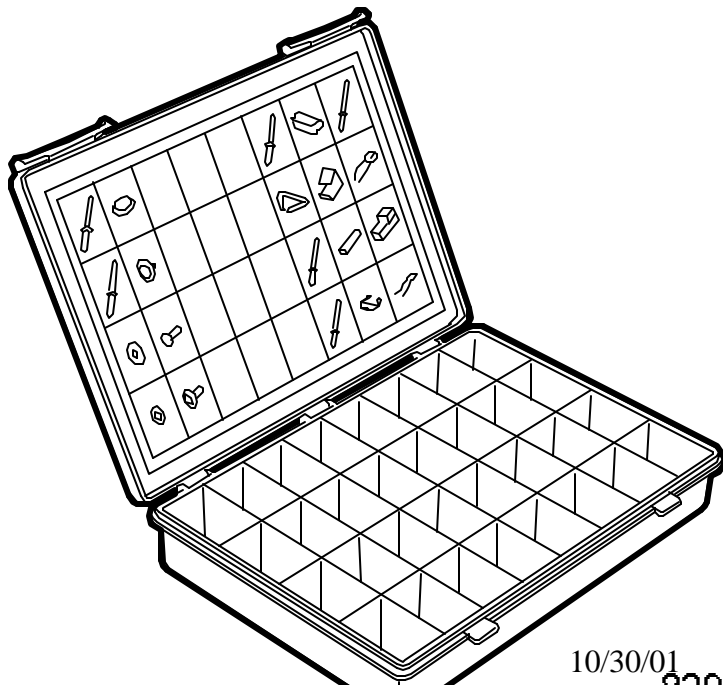


8293284

82 93 284 Drawing tool

This part is not delivered on subscription but must be ordered separately.

Assortment box, convertible



10/30/01 8293284

*82 93 276 Box*

Box containing the most common consumption parts for repair of soft top on CV.

This part is not delivered on subscription but must be ordered separately.